



**COINCO GLOBAL 2[®] 800 SERIES
OPERATION AND SERVICE MANUAL**

TABLE OF CONTENTS

SECTION 1: GENERAL INFORMATION

Introduction	3
For Your Records	3
Features	4
After Unpacking	4
Specifications	4

SECTION 2: INSTALLATION

Installing the Changer	5
------------------------------	---

SECTION 3: CONFIGURATION

Option Switch Module	7
Setting the Vend Price on a Single-Price Changer	8
Setting the Vend Price on a Four-Price Changer	9
Setting the Vend Price on a Protocol A Changer	10
Setting the Vend Price on MDB and BDV Changers	10
Manual Fill Mode	11
Float Mode	11
Setting the Float Mode Levels	12
Activating Float Pay-Down	13
Setting The “Use Correct Change” Value	13
Setting the Exact Change Accept Group	14
Display Mode	15
Reading Audit Information	16
Tube Counts	16
Digital Display Address Chart	17
Changing the Coin Tubes	22
Changing Coin Routing	22

SECTION 4: MAINTENANCE

Routine Maintenance	24
Cleaning	24
Removing/Replacing Individual Modules	25
Clearing Coin Jams	25

SECTION 5: TROUBLESHOOTING

Error Codes	26
Diagnostics	26
Troubleshooting Guide	28

SECTION 6: EXPLODED VIEWS

Exploded Views	30
----------------------	----

SECTION 1: GENERAL INFORMATION

Introduction

This manual contains information on installing, operating and maintaining your COINCO GLOBAL2® coin changer. This manual is intended for owners, route operators and shop-level technicians as a primary source of information. Taking time to read this manual and becoming familiar with this information will help you obtain the best performance from your COINCO GLOBAL2® changer.

The COINCO GLOBAL2® Changer from Coin Acceptors is available in a 700 Series and an 800 Series. The 700 Series changers can accept and validate up to 16 different coins or tokens. The 800 Series changers can accept and validate up to 32 different coins or tokens. The 800 Series has a digital display for easy programming.

- **GLOBAL MDB:** For electronic vending machines that utilizes COINCO's Multi-Drop Bus technology.
- **GLOBAL Single-Price/Four-Price:** For electromechanical vending machines.
- **GLOBAL A:** For vending machines equipped with an electronic Protocol A serial interface.
- **GLOBAL BDV:** For vending machines equipped with an electronic BDV serial interface.

For Your Records

A label indicating the coin changer model number and serial number can be found on the side of the coin changer. Refer to the model and serial number whenever you call upon your Coinco Service Center for information or service. For your information, the first four digits of the serial number indicates when the unit was built which is also the beginning of the warranty period. The first two digits indicate the week of manufacture; the third and fourth digits indicate the year of manufacture. For example, Serial Number 269407053 would indicate that the unit was manufactured in the 26th week of 1994.

The first three letters of the model number indicate the Country Code while the fourth letter indicates the model of changer (“G”=MDB, “F”=Single-/Four-Price, “B”=BDV, “A”=Protocol A).

The first digit of the model number indicates the unit is an 800 (8) series, and the last two digits indicates the changer's payout configuration.

EXAMPLE: Model Number GBP-F801 is an 800 Series Four-Price COINCO GLOBAL 2® changer for Great Britain.

SECTION 1: GENERAL INFORMATION

Features

- The COINCO GLOBAL 2® coin changer has a modular design for easy service.
- Tubes snap in and out of housing for easy customization of your changer
- Pays out change from self-loading, high capacity change tubes
- Two motors provide fast, accurate payout.
- Programmable tube floats allow variable tube level adjustment.
- State-of-the-art electronic logic system is designed for reliability and performance.
- Lightweight, rugged plastic construction.
- All models equipped with the MDB protocol.
- Lockable coin loading door allows easy hand-loading of coin tubes while keeping dirt and debris out of the changer.

After Unpacking

After unpacking the unit, inspect it for any possible shipping damage. If the unit is damaged, notify the shipping company immediately. Only the consignee (the person or company receiving the unit) can file a claim against the carrier for shipping damage. We recommend that you keep the original shipping carton and packing materials to reuse if you need to transport or ship your changer in the future.

If the coin changer is being stored or used as a spare, always keep it in its shipping carton when not in use. This will keep it clean and offer the best protection for the unit.

Specifications

Power Requirements (by model)

MDB	34V DC
Single/Four Price	24V AC, 50/60 Hz 120V AC, 50/60 Hz 220V-240V AC, 50/60 Hz
Protocol A.....	24V AC, 50/60 Hz
L/L+	24V DC
BDV	24V DC

Operating Temperature Non-Metric/Metric

0 to 150 Degrees Fahrenheit
-18 to 65 Degrees Celsius

Storage Temperature Non-Metric/Metric

-22 to 160 Degrees Fahrenheit
-30 to 72 Degrees Celsius

Relative Humidity

20% to 98% Noncondensing

Operating Attitude

Vertical ± 3 degrees

Physical Dimensions Non-Metric/Metric

Height:	BASE TO TOP OF COIN RETURN LEVER 14.93 inches or 37.92 centimeters
Width:	5.47 inches or 13.89 centimeters
Depth:	GATE OPEN 3.25 inches or 8.25 centimeters GATE CLOSED 3.00 inches or 7.62 centimeters

Weight in Shipping Carton Non-Metric/Metric

Approximately 7 pounds
Approximately 3.15 kilograms

Coin Size Range

Up to 32 coins or tokens in the size range of 15.0 to 33.5 mm diameter and 1.02 to 3.10 mm thickness can be validated.

SECTION 2: INSTALLATION

Installing The Changer

1. Remove power from vendor.
2. Remove the acceptor from the changer by releasing acceptor latch and rotating the top of the acceptor forward, away from changer (see Figures 1 and 2). Unplug ribbon cable from changer. Free acceptor studs from changer housing. Place the acceptor in a clean area.
3. With the acceptor removed, set the mounting holes in the back of the changer housing over the mounting screws in the vendor. Tighten snugly (see Figure 3).
4. Replace the acceptor by inserting bottom acceptor studs into changer housing guides. Plug the ribbon cable into the changer (see Figure 2).
5. On units that use a DEX/UCS Hand-held Computer, attach DEX Plug Ground Connector to the vending machine frame (see Figure 1).
6. Plug changer into vendor socket.
7. Set the desired vend price and options on the changer (see Figure 2). Refer to "Setting The Vend Price" and "Option Switch Module" section of this manual.
8. Press the top of the acceptor into the changer housing until the acceptor latches and locks.
9. If coin tube loading door is not locked (additional option) hand load the four coin tubes (see Figure 4). Tilting the coin tube loading door open, load the four coin tubes. Make sure all coins lie flat and that each tube is filled at least to the 20% mark. Payout at least two coins from each tube to set tube counters. If audit is required, enter Display Mode (see "Display Mode" section) and feed coins in through acceptor.
10. (Optional) Set the coin tube float levels. Refer to "Setting The Float Tube Levels" section of this manual.
11. Check to make sure the tube cover and acceptor studs are properly installed.
12. Test the coin changer with a variety of coins to ensure proper operation.

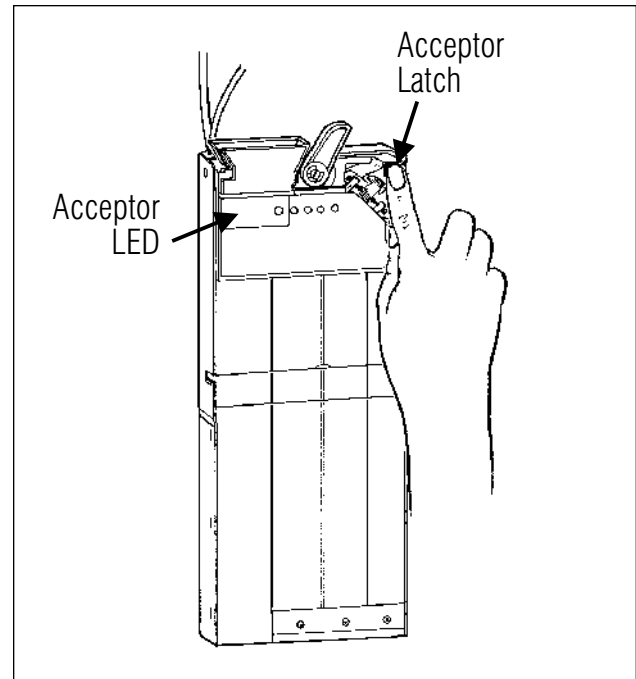


Figure 1

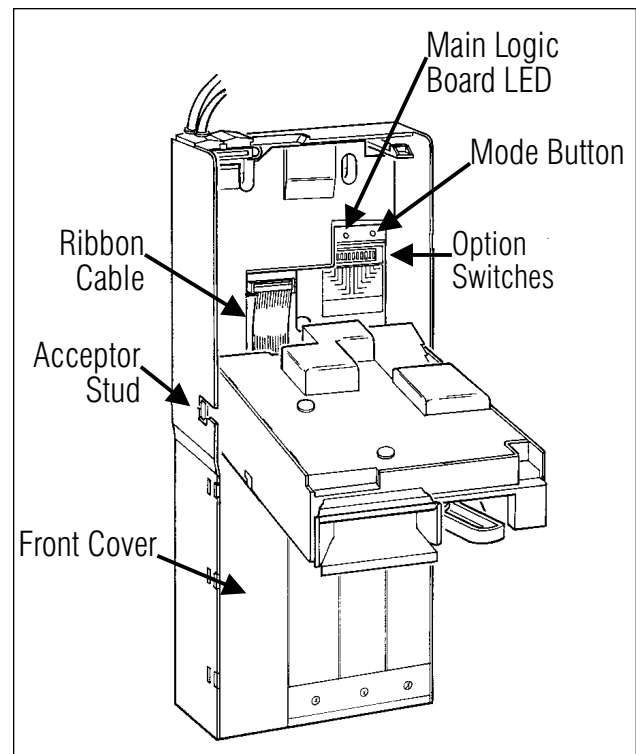


Figure 2

SECTION 2: INSTALLATION

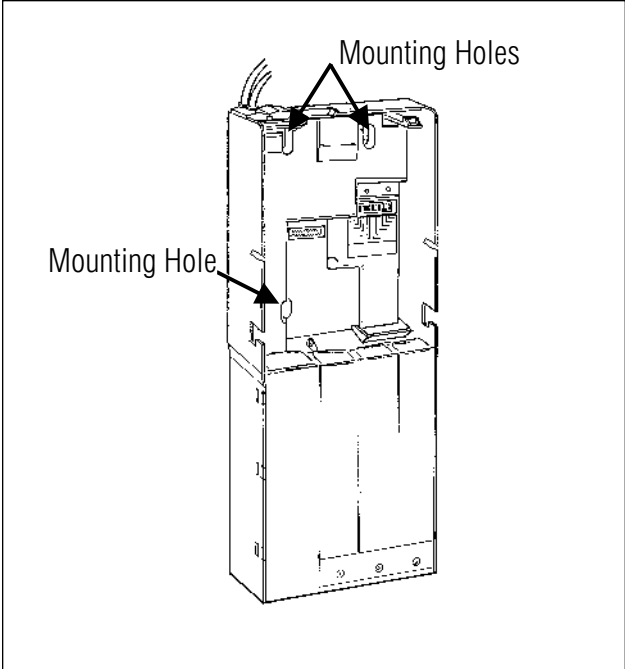


Figure 3

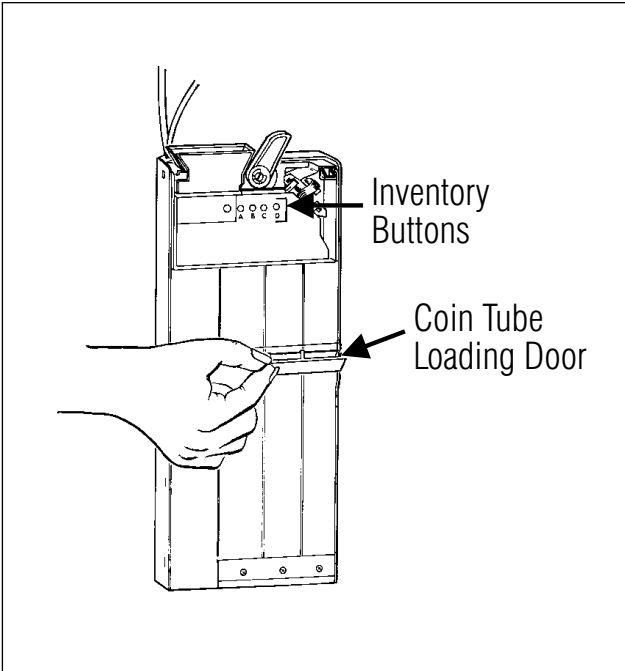


Figure 4

SECTION 3: CONFIGURATION

Option Switch Module

Applies to Single-Price/Four-Price Changers Only

Located behind the acceptor on the middle right hand side of the changer housing are twelve switches (see Figure 2). The first eight are used to set the vend price (see “Setting The Vend Price” section of this manual).

The last four Option Switches are used to enable or disable the following options:

Switch A (SW9)

Controls whether the escrow feature of the changer is inhibited.

- ON Escrow inhibited.
- OFF Escrow not inhibited.

Switch B (SW10)

Determines the operation mode of the changer.

- ON Operates as a Four-Price changer.
- OFF Operates as a Single-Price changer.

Switch C (SW11)

(Single-Price Mode Only)

Controls the vend holding feature.

- ON Vend is held until selection is made.
- OFF Vend is pulsed.

Switch D (SW12)

Controls when the changer enters the “Use Correct Change” condition.

- ON Uses the sum of the highest price plus the value of the highest coin for the “Use Correct Change” indicator.
- OFF Uses a programmable value for “Use Correct Change” indicator. “Use Correct Change” indicator is illuminated when changer is unable to make change for the programmed value or any lesser value.

Switch 1	1 x Scaling Factor
Switch 2	2 x Scaling Factor
Switch 3	4 x Scaling Factor
Switch 4	8 x Scaling Factor
Switch 5	16 x Scaling Factor
Switch 6	32 x Scaling Factor
Switch 7	64 x Scaling Factor
Switch 8	128 x Scaling Factor

Figure 5

Example: Switch 1, 3, 4, set to on and the remaining set to off would result in a price of $(1+4+8) \times \text{Scaling Factor}$. If the scaling factor were set to 5 and the decimal point set to 2, the resulting price setting would be $(1+4+8) \times (.05) = 13 \times .05 = 0.65$ units. The current scaling factor can be displayed using display mode, address “A010” on the acceptor. The current decimal point position can be displayed using display mode, address “A011”.

SECTION 3: CONFIGURATION

Setting The Vend Price On A Single-Price Changer

The vend price on a single-price changer may be set in four ways:

- via Coinco Support Software
- via DEX/UCS
- via the first eight Option Switches
- via the digital display.

The vend price can be set in single increments up to 255 times the lowest denomination coin that is accepted by the changer and routed to a coin tube.

EXAMPLE: If the lowest denomination coin is one, the highest vend price setting would be 255 x 1 or 255.

VIA GLOBAL SUPPORT TOOLS

Consult Coinco Support Software manual for price setting instructions.

VIA DEX/UCS

Consult Hand-held Computer manufacturer.

VIA OPTION SWITCHES

1. Set the vend price by adding the amount of the appropriate switches and setting them to the ON position (see Figure 5).
2. Set Option Switch B to the OFF position.
3. Set Option Switches A, C and D to the desired configuration (see “Option Switch Module” section of this manual).
4. After setting the vend price and the desired options on the Option Switch Module, PRESS AND RELEASE THE MODE BUTTON to store the new setting. The LED and the “Use Correct Change” light will then flash once, indicating that the price was recorded.

EXAMPLE: If the first, fourth and fifth price setting switches are in the UP position, the vend price setting would be 25 x 1 or 25 (assuming the lowest denomination coin accepted is 1).

NOTE: The vend price must be set to an amount greater than zero for the changer to accept coins in single-price mode.

VIA DIGITAL DISPLAY

1. Enter the Display Mode (see “Display Mode” section of this manual).
2. Press B to scroll up to “C001” (Price 1).
3. Press C to enter. The current Price Setting is displayed.
4. Use buttons B (increase) and D (decrease) to change C001 to the appropriate price.
5. Press C to store price. The display will flash once to signify the information has been stored.
6. Press A to return to the Display Mode.
7. Press A twice to exit the display mode.

Note: The Display Mode will exit automatically if there is no programming action for 30 seconds.

SECTION 3: CONFIGURATION

Setting The Vend Price On A Four-Price Changer

The vend price on a four-price changer may be set in four ways:

- via Coinco Support Software;
- via DEX/UCS;
- via the first eight Option Switches;
- via the digital display.

The vend price can be set in single increments up to 255 times the lowest denomination coin that is accepted by the changer and routed to a coin tube.

EXAMPLE: If the lowest denomination coin is one, the highest vend price setting would be 255 x 1 or 255.

VIA GLOBAL SUPPORT TOOLS

Consult Coinco Support Software manual for price setting instructions.

VIA DEX/UCS

Consult Hand-held Computer manufacturer.

VIA OPTION SWITCHES

1. To set the vend price of a selection, add the value of the rocker switches that are switched to the ON position.
2. Set Option Switch B to the ON position.
3. Set Option Switches A, C and D to the desired configuration (see “Option Switch Module” section of this manual).
4. After setting the desired vend price on the Option Switch Module, press and release the Mode Button (see Figure 2). The changer’s Main Logic Board LED and the “Use Correct Change” light will begin to flash.
5. Within 30 seconds, press and release any one desired product selection switch on the front of the machine. The present price on the switch module is now set for all selections on that price line and the LED and “Use Correct Change” light will stop flashing.

6. Repeat the above steps until the remaining three price lines have been assigned a vend price.

EXAMPLE: If the first, fourth and fifth price setting switches are in the UP position, the vend price setting would be 25 x 1 or 25 (assuming the lowest denomination coin accepted is 1).

NOTE: If the price for one or more of the selections is set to zero, that selection is a free vend.

VIA DIGITAL DISPLAY

1. Enter the Display Mode (see “Display Mode” section of this manual).
2. Press B to scroll up to C001 (Price 1).
3. Press C to enter. The Current Price Setting is displayed.
4. Use buttons B (increase) and D (decrease) to change C001 to the appropriate price.
5. Press C to store price. The display will flash once to signal the new information has been saved.
6. Press A to return to the display mode.
7. Press B to increase to C002 (Price 2).
8. Repeat steps 3-6 for the remaining three prices.
9. Once all four prices have been set, press A twice to exit the Display Mode.

SECTION 3: CONFIGURATION

Setting The Vend Price On A Protocol A Changer

The Digital Display/Inventory Buttons are located on the acceptor gate (see “Display Mode” section of this manual). If the vending machine operates in Price Holding Mode, then the twenty-five prices are set using Addresses C101-C125 accordingly.

1. Enter the Display Mode (see “Display Mode” section of this manual).
2. Press B to scroll up to Address 1 (C101).
3. Press C to enter Address 1.
4. Use buttons B (increase) and D (decrease) to change Address 1 to the appropriate price.
5. Press C to store price and return to the Address Display.
6. Press B to scroll up to Address 2 (C102).
7. Repeat steps 3-6 for the remaining twenty-four prices.
8. Once all twenty-five prices have been set, press A twice to exit the Display Mode.

Setting The Vend Price on MDB & BDV Changers

Vend prices for MDB/BDV changers are set through the vending machine controller (VMC). See vending machine manual for details.

SECTION 3: CONFIGURATION

Manual Fill Mode

Manual Fill Mode allows coins to be inserted into the acceptor which routes the coins to the proper coin tube without establishing credit. When high sensor level or float level is reached and in manual fill mode, coins will be rejected. Enter the Display Mode (see “Display Mode” section of this manual). When “FILL” appears in the display, deposit coins until the desired level. Alternating with the “FILL” message will be the tubes needing coins “AbCd”. The changer will automatically return to operating mode after 45 seconds of no activity or if button A (escape) is pressed.

Manual Fill Mode is supported for Single-/Four-Price, Protocol A, and BDV changers. Manual Fill Mode in MDB changers is accessed through the vending machine controller. See vending machine manual for details.

Float Mode

Float Mode is used to systematically reduce the number of coins kept in a tube.

The 800 Series GLOBAL2® changer supports two Float Mode Options which are set through the use of Global Support Tools or the digital display.

STANDARD FLOAT MODE

In Standard Float Mode, once a tube float level is set (see “Setting The Float Mode Levels” section), the changer will try to maintain the set level of coins in the tube by routing accepted coins to the tube *only* if a coin was paid out. Once the tube reaches its float level in Standard Float Mode, any coins normally routed to that tube will be sent to the cash box. As usual, any cash box coins will be accepted and routed to the cash box.

FLOAT PAY-DOWN MODE

In Float Pay-down Mode, the acceptor will continue to route coins to the tube until the upper sensor is covered. The coins will then be routed to the cash box. Once a tube float level is set, activating Float Pay-down will dispense coins above the established levels until the coins reach the float levels (see “Activating Float Pay-down” section of this manual).

When in Manual Fill Mode, the acceptor will route coins to the tube until float level is reached. When float level is reached the display will change to “FULL” and coins will be rejected. The float pay-down level does not change. The changer will automatically return to operating mode after 45 seconds of no activity or if button A (escape) is pressed.

SECTION 3: CONFIGURATION

Setting The Float Mode Levels

The Float Mode Levels for both Float Level and Float Pay-down can be set in two ways:

- via Global Support Tools;
- via the Digital Display.

VIA GLOBAL SUPPORT TOOLS

Consult Coinco Software Support manual for tube float level setting instructions. Tube float levels can be set individually.

VIA DIGITAL DISPLAY

The Digital Display/Inventory Buttons are located on the acceptor gate. The individual tube float levels are set using Address “A008”. Address “A007” allows you to clear all float levels and to set all four float levels at one time.

A007 Set or Clear All Float Levels
0 Clear All Float Levels
1 Set All Standard Float Levels
2 Set All Float Pay-down Levels
A008 Tube A, B, C, D Float Level
0 Disable Float Level
1 Enable Standard Float Level
2 Enable Float Paydown

Setting All Four Float Levels At Once:

1. Load the four coin tubes to the float level you want the coin changer to maintain.
2. Enter the Display Mode (see “Display Mode” section of this manual).
3. Press B to scroll up to Address “A007”
4. Press C to enter Address “A007”. The display will show the current float mode settings for all tubes. The far left digit represents tube A through the far right digit representing tube D.
5. Press B (increase) or D (decrease) to “1” to set standard float levels, “2” for float pay-down, or “0” to disable float mode.

6. Press C to enter your selection. The far right decimal point will illuminate indicated the selection has been stored.
7. Press A to return to the Address selection.
8. Press A again to exit display mode. All four tube float levels are now set.

The Digital Display’s second decimal point from the right will be illuminated if any tube float levels have been set.

Setting Float Levels Individually:

1. Load the individual coin tube to the float level you want the coin changer to maintain.
2. Enter the Display Mode (see “Display Mode” section of this manual).
3. Press B to scroll up to Address “A008” for individual tube float setting.
4. Press C to enter the Address.
5. The display will be shifted to the right to indicate a second Sub Address selection is required. Use button B (increase) or button D (decrease) to reach the desired tube selection.
6. Press C to enter the Sub Address.
7. Use button B (increase) to reach the correct setting (“0” to disable, “1” for standard float, “2” for float pay-down).
8. Press C to store setting. The far right decimal point will illuminate indicating the selection has been stored.
9. Press C again to return to the Sub Address Display.
10. Press A to return to the Address Display.
11. Press A again to exit the Display Mode. The tube float level is now set for the individual tube you have chosen.

The Digital Display’s second decimal from the right will be illuminated if any tube float levels have been set.

SECTION 3: CONFIGURATION

Activating Float Pay-Down

Pressing and releasing buttons A and B simultaneously activates Float Pay-down. Use Manual Fill to replenish low tubes (see “Manual Fill Mode” section of this manual).

Setting The “Use Correct Change” Value

Single-/Four-Price and Protocol A Models Only

When a value is selected for turning on the “Use Correct Change” light, the light is illuminated when the changer is unable to make change for *THAT* value or any lesser value.

NOTE: Option switch D set to the ON position will override any setting you make via the following instructions. See “Option Switch Module” section of this manual for information on Option Switch D.

The “Use Correct Change” light can be programmed to come on in three ways:

- via Coinco Support Software;
- via DEX/UCS (Protocol A Only);
- via the Digital Display.

VIA GLOBAL SUPPORT TOOLS

Consult Coinco Support Software manual for “Use Correct Change” light setting instructions.

VIA DEX/UCS

Consult Hand-held Computer manufacturer.

VIA DIGITAL DISPLAY

The “Use Correct Change” light is set using Address “C032” of the Digital Display.

1. Enter the Display Mode (see “Display Mode” section of this manual).
2. Press B to scroll up to Address “C032” (“Use Correct Change” Setting).
3. Press C to enter the Address.
4. Use button B (increase) or button D (decrease) to reach the correct value.
5. Press C to store setting.
6. Press A to return to the Address Display.
7. Press A again to exit the Display Mode. The Exact Change Setting is now programmed to the value you have set.

SECTION 3: CONFIGURATION

Setting The Exact Change Accept Group

Single-/Four-Price, Protocol A Models Only

By setting the Exact Change Group for the Single-/Four-Price Models, you're telling the changer what coins to accept when the "Use Correct Change" light is ON.

The Exact Change Group can be programmed in three ways:

- via Coinco Support Software;
- via DEX/UCS;
- via the Digital Display.

VIA PC SUPPORT TOOLS

Consult Coinco Support Software manual for "Use Correct Change" light setting instructions.

VIA DEX/UCS

Consult Hand-held Computer manufacturer.

VIA DIGITAL DISPLAY

The Exact Change Group is set using Address "C014" of the Digital Display.

1. Enter the Display Mode (see "Display Mode" section of this manual).
2. Press B to scroll up to Address "C014" (Exact Change Group).
3. Press C to enter the Address.
4. Use button B (increase) or button D (decrease) to reach the correct coin group (see "Exact Change Group Settings" chart).
5. Press A to return to the Address Display.
6. Press A to exit the Display Mode. The Exact Change Group is now programmed to the value you have set.

EXACT CHANGE GROUP SETTINGS (Address C014)

- 0 Accepts only coin number 0
- 1 Accepts coin numbers 0 through 1
- 2 Accepts coin numbers 0 through 2
- 3 Accepts coin numbers 0 through 3
- 4 Accepts coin numbers 0 through 4
- 5 Accepts coin numbers 0 through 5
- 6 Accepts coin numbers 0 through 6
- 7 Accepts coin numbers 0 through 7
- 8 Accepts coin numbers 0 through 8
- 9 Accepts coin numbers 0 through 9
- 10 ... Accepts coin numbers 0 through 10
- 11 ... Accepts coin numbers 0 through 11
- 12 ... Accepts coin numbers 0 through 12
- 13 ... Accepts coin numbers 0 through 13
- 14 ... Accepts coin numbers 0 through 14
- 15 ... Accepts all coin numbers

NOTE: The Exact Change Group will only be applied when the "Use Correct Change" light is ON. When the light is OFF, all coins in the coin set are accepted. Coin Number 0 is the first coin value accepted. Coins of the same value are reported as the same coin number.

SECTION 3: CONFIGURATION

Display Mode

The 800 Series changer is equipped with a four-digit, seven-segment display, located on the acceptor gate. The Display Mode is utilized via the four Inventory Buttons also located on the acceptor gate (see Figure 6).

This Display Mode is used to read information as well as to set different options including price settings and tube float levels.

The Display Mode may be entered by pressing Inventory Buttons A and D simultaneously. In response, the display will turn on the message “FILL”, “FULL”, or “AbCd”. Button activation will be recognized only if longer than 0.5 seconds. Once you have entered the Display Mode, Inventory Buttons A through D are used to move through the addresses as follows:

Button A ESCAPE
Button B INCREASE
Button C ENTER
Button D DECREASE

EXAMPLE: Simultaneously press A and D to enter Display Mode. Press B to increase (scroll) through the various addresses. Once you have reached the address you need to access, press Button C to enter the address.

Information currently stored in non-volatile memory will be displayed with the far right decimal point illuminated. Use either Inventory Buttons B or D to increase or decrease the address values as needed. Press Button C again to store the selection. Press A to return to the Address Display. Press A again to exit the Display Mode.

You will exit the Display Mode if one of the following procedures is performed:

1. No Inventory Buttons are pressed or coins are dropped for more than 45 seconds;
2. Depressing the A Button until the Display Mode is exited;
3. Automatic exit after hardware reset.

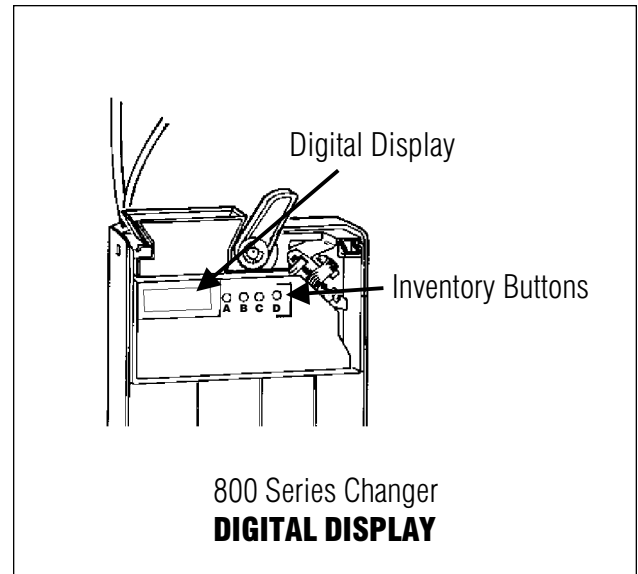


Figure 6

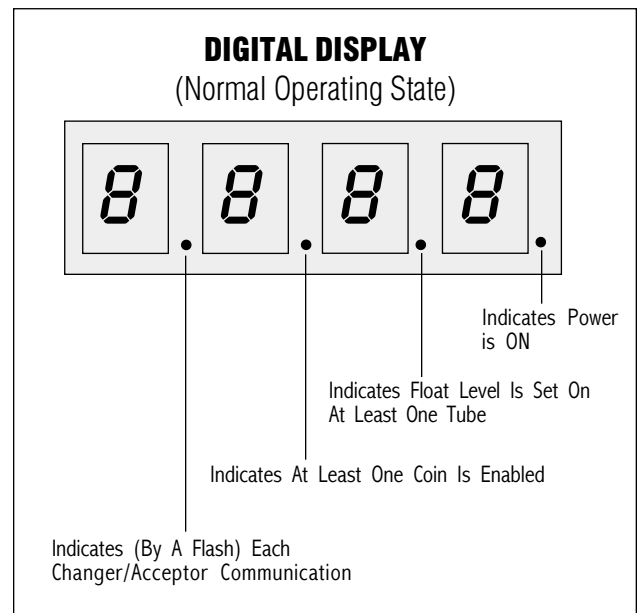


Figure 7

NOTE: All addresses in the Display Mode can be made “Read Only” (disabled) via Global Support Tools (see separate Global Support Tools manual for further information).

NOTE: If power is removed from the changer before the Display Mode is exited, the changes may not be saved.

SECTION 3: CONFIGURATION

Reading Audit Information

Protocol A and Single-/Four-Price Models Only

By reading Audit Information, you can gain valuable information about your vendor's performance.

Audit information is retrieved via the Digital Display by performing the following steps:

1. Enter the Display Mode (see "Display Mode" section of this manual).
2. Press C. In response, the display will show Address "d000".
3. Press B or D to scroll to the desired audit address (see Audit Information Addresses).
4. Press C to view the upper four digits of the displayed address. Press C again to view the lower four digits, including the decimal point (if any). *EXAMPLE: 10,480.20 would be displayed as 0104 in the upper four digits followed by 80.20 in the lower four digits.*
5. Press C again to return to the Address Display.
6. Press A to exit to the "FULL/FILL AbCd" message.

NOTE: Audit Information is "read only" and cannot be reset via the Digital Display.

NOTE: Free vends issued directly from the vending machine are not audited by the changer.

Tube Counts

By briefly depressing and releasing an inventory button, you can obtain information about the coin value and the quantity of coins within the tube.

SECTION 3: CONFIGURATION

DIGITAL DISPLAY AUDIT INFORMATION ADDRESSES			Y=Supported N=Not Supported			
#	Field	Description	G	S/F	A	BDV
D000	Total number of vends	Total number of vends	N	Y	Y	N
D001	Cash to tubes	Total value of coins routed to tubes	N	Y	Y	N
D002	Cash to cash box	Total value of coins routed to cash box	N	Y	Y	N
D003	Dispensed cash	Total value dispensed	N	Y	Y	N
D004	Inventoried cash	Total value dispensed using inventory buttons	N	Y	Y	N
D005	Overpay value	Change lost	N	Y	Y	N
D006	Vend value	Total value of all vends	N	Y	Y	N
D007	Exact change vend value	Value of vends taken when exact change light is on	N	Y	Y	N
D008	Discount value	Actual value of discount given	N	N	Y	N
D009	Token value	Value of vends from tokens	N	N	Y	N
D010	Prepaid card value	Value taken from prepaid cards	N	N	Y	N
D011	Total vends for price 1	Count of vends for price 1	N	Y	Y	N
D012	Total vends for price 2	Count of vends for price 2	N	Y	Y	N
D013	Total vends for price 3	Count of vends for price 3	N	Y	Y	N
D014	Total vends for price 4	Count of vends for price 4	N	Y	Y	N
D015	Total vends for price 5	Count of vends for price 5	N	N	Y	N
D016	Total vends for price 6	Count of vends for price 6	N	N	Y	N
D017	Total vends for price 7	Count of vends for price 7	N	N	Y	N
D018	Total vends for price 8	Count of vends for price 8	N	N	Y	N
D019	Total vends for price 9	Count of vends for price 9	N	N	Y	N
D020	Total vends for price 10	Count of vends for price 10	N	N	Y	N
D021	Total slugs rejected	Count of number of invalid coins	N	Y	Y	N
D022	Total # coins tube 1	Total number of coins in lowest value tube	N	Y	Y	N
D023	Total # coins tube 2	Total number of coins in second lowest value tube	N	Y	Y	N
D024	Total # coins tube 3	Total number of coins in second highest value tube	N	Y	Y	N
D025	Total # coins tube 4	Total number of coins in highest value tube	N	Y	Y	N
D026	Total value coins tube 1	Total value of coins	N	Y	Y	N
D027	Total value coins tube 2	Total value of coins in second lowest value tube	N	Y	Y	N
D028	Total value coins tube 3	Total value of coins in second highest value tube	N	Y	Y	N
D029	Total value coins tube 4	Total value of coins in highest value tube	N	Y	Y	N

SECTION 3: CONFIGURATION

DIGITAL DISPLAY AUDIT INFORMATION CHANGER ADDRESSES			Y=Supported N=Not Supported R=Read Only			
#	Field	Description	G	S/F	A	BDV
C001	Prices 1 (Repeated at address C101)	Value	N	Y	Y	N
C002	Prices 2 (Repeated at address C102)	Value	N	Y	Y	N
C003	Prices 3 (Repeated at address C103)	Value	N	Y	Y	N
C004	Prices 4 (Repeated at address C104)	Value	N	Y	Y	N
C005	Prices 5 (Repeated at address C105)	Value	N	N	Y	N
C006	Prices 6 (Repeated at address C106)	Value	N	N	Y	N
C007	Prices 7 (Repeated at address C107)	Value	N	N	Y	N
C008	Prices 8 (Repeated at address C108)	Value	N	N	Y	N
C009	Prices 9 (Repeated at address C109)	Value	N	N	Y	N
C010	Prices 10 (Repeated at address C110)	Value	N	N	Y	N
C011	Maximum change	Value	N	N	Y	N
C012	Discount award (increase in credit when discount trigger is reached)	Value	N	N	Y	N
C013	Discount Trigger	Value	N	N	Y	N
C014	Exact change accept group	0 Accepts only coins reported as MDB coin type 0 1 Accepts coins reported as MDB coin type 1 2 Accepts coins reported as MDB coin type 2 3 Accepts coins reported as MDB coin type 3 4 Accepts coins reported as MDB coin type 4 5 Accepts coins reported as MDB coin type 5 6 Accepts coins reported as MDB coin type 6 7 Accepts coins reported as MDB coin type 7 8 Accepts coins reported as MDB coin type 8 9 Accepts coins reported as MDB coin type 9 10 Accepts coins reported as MDB coin type 10 11 Accepts coins reported as MDB coin type 11 12 Accepts coins reported as MDB coin type 12 13 Accepts coins reported as MDB coin type 13 14 Accepts coins reported as MDB coin type 14 15 Accepts all reported MDB coin types	N	Y	Y	N
C015	Single/Multivend and card revaluating	<u>Four Price:</u> 0 Multi Vend Disabled 1 Multi Vend Enabled <u>Protocol A:</u> <u>Card Revaluation OFF:</u> 0 Single-vend, Credit Limit 1 Multi Vend, Credit Limit 2 Single Vend, Price Limit 3 Multi Vend, Price Limit <u>Card Revaluation ON</u> 4 Single vend, Credit Limit 5 Multit Vend, Credit Limit 6 Single Vend, Price Limit 7 Multit Vend, Price Limit	N	Y	Y	N
C016	Escrow return inhibit	0 Coin Return Allowed 1 Coin Return NOT Allowed	N	Y	Y	N
C019	Peripheral and clear checksum flag	<u>No Card Reader</u> 0 Checksum OK 1 Checksum Error <u>Card Reader Installed</u> 4 Checksum OK 5 Checksum Error	N	Y	Y	N

SECTION 3: CONFIGURATION

DIGITAL DISPLAY AUDIT INFORMATION CHANGER ADDRESSES				Y=Supported N=Not Supported R=Read Only		
#	Field	Description	G	S/F	A	BDV
C020	Bill value (scaled)	Value	N	Y	N	N
C021	Four price time out	Programmable 4-20 seconds	N	Y	N	N
C022	L+ mode enabled	0 L Mode 1 L+ Mode	N	N	N	N
C024	L+ Programmed left tube coin	0-15 Coins 0-12	N	N	N	N
C025	L+ Programmed right tube coin	0-15 Coins 0-12	N	N	N	N
C026	L+ Programmed middle tube coin	0-15 Coins 0-12	N	N	N	N
C027	Full buffer mode	0 Normal buffer mode 1 Full buffer mode	N	N	N	N
C028	L+ Fourth tube reporting	0 Cashbox sorting always reported	N	N	N	N
C029	Card scale factor	Value	N	N	Y	N
C030	Max. credit	Value	N	N	Y	N
C032	"Use Correct Change" value	Value	N	Y	Y	Y
C036	Price hold and display	0 Disable price holding 2 Enable price holding 3 Enable price holding and display	N	N	Y	N
C042	Price display mode	0 Disable 1 Enable	N	Y	N	N
C043	Keep change mode	0 Disable 1 Enable	N	Y	N	N
C044	Four price mode	0 Single price mode 1 Four price mode	N	Y	N	N
C045	Single vend till escrow	0 Pulse vend 1 Vend holding	N	Y	N	N
C046	Alternate exact change	0 Programmed Value 1 Use (highest price plus highest coin)	N	Y	N	N
C047	Mode switch disabled	0 Enable mode switch 1 Disable mode switch	N	R	N	N
C048	Read only display (Addresses C001 through C255)	0 Enables changes from digital display 1 Disable changes from digital display	N	R	R	R
C049	Enable DEX wipe	0 Disables DEX wipe 1 Enables DEX wipe	N	R	R	N
C050	DEX wipe	0 DEX data is present 1 ALL DEX case accountability data has been cleared	N	Y	Y	N
C074- C089	Token values (Types A-P)	Value	N	N	Y	N

SECTION 3: CONFIGURATION

DIGITAL DISPLAY AUDIT INFORMATION CHANGER ADDRESSES			Y=Supported N=Not Supported R=Read Only			
#	Field	Description	G	S/F	A	BDV
C101	Prices 1	Value	N	Y	Y	N
C102	Prices 2	Value	N	Y	Y	N
C103	Prices 3	Value	N	Y	Y	N
C104	Prices 4	Value	N	Y	Y	N
C105	Prices 5	Value	N	N	Y	N
C106	Prices 6	Value	N	N	Y	N
C107	Prices 7	Value	N	N	Y	N
C108	Prices 8	Value	N	N	Y	N
C109	Prices 9	Value	N	N	Y	N
C110	Prices 10	Value	N	N	Y	N
C111	Prices 11	Value	N	N	Y	N
C112	Prices 12	Value	N	N	Y	N
C113	Prices 13	Value	N	N	Y	N
C114	Prices 14	Value	N	N	Y	N
C115	Prices 15	Value	N	N	Y	N
C116	Prices 16	Value	N	N	Y	N
C117	Prices 17	Value	N	N	Y	N
C118	Prices 18	Value	N	N	Y	N
C119	Prices 19	Value	N	N	Y	N
C120	Prices 20	Value	N	N	Y	N
C121	Prices 21	Value	N	N	Y	N
C122	Prices 22	Value	N	N	Y	N
C123	Prices 23	Value	N	N	Y	N
C124	Prices 24	Value	N	N	Y	N
C125	Prices 25	Value	N	N	Y	N

SECTION 3: CONFIGURATION

DIGITAL DISPLAY GENERAL USE ACCEPTOR INFORMATION ADDRESSES		
Display Addresses	Description	Options
A001	Select Unit Configuration	1 Enables and pays out coins 16-31 2 Enables coins 0-31, pays out coins 16-31 3 Enables coins 0-31, pays out coins 0-15 4 Enables and pays out coins 0-15
A002*	Current Payout configuration	Current payout configuration or set your own
A003	Token coin set enabled	0 Disable 1 Enable
A004*	Coin Ratio (read only)	Coin values
A005*	Coin Enables	0 Coin is disabled 1 Dummy coin 2 Normal, Non compressed 3 Normal The following are not settable through HP display 4 Slug Eater 5 Slug Eater with dummy coin 6 Credited and Returned, non compressed 7 Credited and Returned
A006*	Validation Acceptance level	Relative acceptance Levels (1-10) for all 32 coin types 1 Highest slug protection ~ 7 Factory acceptance rate ~ 10 Highest acceptance rate, boundary checks only
A007	Float setting	Each Digit Represents a Tube "ABCD" 0 Float mode disabled 1 Float level 2 Float pay-down
A008*	Float setting-individual tube access	0 Float mode disabled 1 Float level 2 Float pay-down
A009	Alternative payout	0 Disable special coin selection 1 Enable special coin selection
A010	Scaling factor	Value used to scale all coins
A011	Decimal point value (read only)	Value
A012	Remainder enable (read only)	0 Remainder disabled

* Indicates second sub address is required

SECTION 3: CONFIGURATION

Changing The Coin Tubes

REMOVING/REPLACING THE TUBES

To remove the coin tubes, remove the acceptor and then remove the grey, smoked front cover by pulling out on the left side of the cover at the notch in the housing. The front cover will swing forward, exposing the tubes. The tubes can be removed one at a time by pulling upward. Four slots have been placed in the front of the changer along the pay-out assembly area to assist in this procedure. Place a screw driver into the slot and apply an inward/upward pressure to free the tube retainer tab. Replace the coin tubes by inserting the dove tail guides into the tube holes and pushing inward and downward.

ABOUT THE SHIMS

The coin tubes in your COINCO GLOBAL2® changer utilize six interchangeable shims to accommodate variable thicknesses of coins. These shims are color-coded. Enclosed with this manual is a Coin Set insert sheet which outlines the different tube/shim/coin combinations which are possible for your particular coin set. Shims are removed and replaced by sliding in or out of the bottom of the coin tube.

NOTE: Do not reuse shims. Continuous installation and removal can stress the plastic, causing the shims to lose their ability to stay firmly in place.

Changing Coin Routing

Having consulted the Coin Set insert sheet and changed the coin tubes, the coin routing needs to be reconfigured via the Digital Display using Address “A002”.

This address allows the user to change payout configuration in the field. This feature only provides a means for the acceptor to alter coin routing when different physical payout tubes have been placed in the PLB. This address is capable of being programmable in the field, thus a second level sub address could be required.

When this mode is initially chosen five pre-existing payout configurations are available. Selection is achieved by scrolling up (button B) or down (button D) to the desired configuration. When the desired setting is reached, press enter (button C) again to store the selection. The far right decimal point will illuminate to indicate the setting has been stored to memory. If the location has the capability of being programmable, pressing enter (button C) again will enter programmable mode. This will be evident if the display shifts to the far right and a value between “a” and “e” is displayed.

To program a coin to a tube, select the tube by scrolling to the desired tube and drop the coin type to be routed to the tube. If a coin’s value differs from the coins currently routed to the tube, all coins previously routed to the tube with different values will have their routing to the tube removed. If value “e” is chosen for a new destination, the coin type dropped will have its routing changed to the indicate a cashbox only coin. Pressing enter (button C) again will return to the second sub address menu, esc (button A) will always return to the high level address selection menu.

SECTION 3: CONFIGURATION

Float modes will be turned off and coin counts will be cleared for any tube in which all coins assigned to the tube were not previously assigned to the tube and have been assigned during the current payout configuration session.

If more than one coin is routed to a tube, all the coins in that tube will be reported as the lowest coin type for that tube. Even if a coin is also routed to another tube, or cashbox, it will still be reported as the lowest coin type of any tube it is routed into.

EXAMPLE: *Change payout configuration from “802” to “808”*

To configure the coin tubes via the Digital Display, follow these steps:

1. Enter the Display Mode (see “Display Mode” section of this manual).
2. Press B to scroll up to the Address “A002”
3. Press C to enter the Address.
4. Use buttons B (increase) or D (decrease) to change selection to “808”.
5. Press C to enter the new routing information. The far right decimal point will illuminate to indicate the selection has been stored.
6. Press A to return to the Address Display.
7. Press A to exit the Display Mode. The payout configuration has been changed to “808”.

EXAMPLE: *The COINCO GLOBAL® changer is configured as follows:*

*Coin Type 0 goes to Tube A
Coin Type 1 goes to Tube B
Coin Type 2 goes to Tube C
Coin Type 3 goes to Tube D
Remaining Coin Types 4-15 go to Cashbox.*

BUT, *Coin Type 6 is interchangeable with coin type 0 and must be accepted to Tube A along with coin type 0 . . .*

1. Enter the Display Mode.
2. Press B to scroll up to Address “A002”.
3. Press C to enter the Address.
4. Press B (increase) or D (decrease) to choose one of the programmable payout configuration selections.
5. Press C to select the payout configuration.
6. Press C again to enter programmable payout configuration mode. The display will be shifted to the far left.
7. Use button B and D to choose tube A (“A” on the display) then drop one of coin type 0 and one of coin type 6.
8. Select tube B, drop one of coin type 1.
9. Select tube C and drop one of coin type 2.
10. Finally, Select tube D drop one of coin type 3.
11. Verify all coins have been routed to the desired tubes.
12. Press A to return to address menu
13. Press A again to exit. The payout configuration has now been changed to:

*Coin Type 0 goes to Tube A and cashbox
Coin Type 1 goes to Tube B and cashbox
Coin Type 2 goes to Tube C and cashbox
Coin Type 3 goes to Tube D and cashbox
Coin Type 6 goes to Tube A and cashbox
Coin Types 4,5 and 7-15 go to Cashbox only*

SECTION 4: MAINTENANCE

Routine Maintenance

Routine maintenance will improve performance and extend the working life of your COINCO GLOBAL2® changer and reduce the need for more involved repairs. Frequency of maintenance will depend on environment and number of transactions. For normal environments, cleaning is recommended every six months. However, in harsh environments with lots of dirt and dust, cleaning is recommended every three months.

The coin changer should be kept in its original shipping carton when not in use. This will keep the changer clean and offer the best protection for the unit.

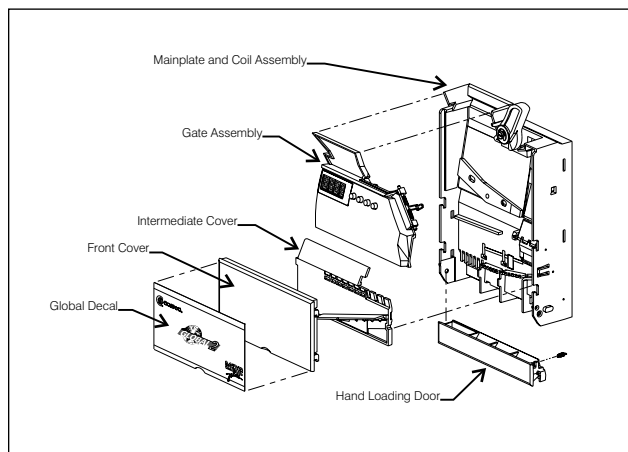


Figure 8

Cleaning

A majority of your COINCO GLOBAL2® changer is manufactured from a high-quality plastic, which should only be cleaned with a warm water and mild detergent solution.

- CAUTION:**
- Never submerge unit in water.
 - Do not use petroleum solvents, steel wool, scouring pads, or a metal brush for cleaning.
 - Do not spray any part of the changer with any type of lubricant.

Since all coins share a common coin ramp, heavy usage or a dirty environment can result in dirt build-up. To clean the coin ramp, lift the acceptor gate upward and diagonally to the right. Hold gate to prevent it from snapping back. Wipe the exposed coin ramp and inner surface with a damp cloth, being cautious not to harm the coin stabilizer (a thin piece of polyester film). If the coin stabilizer looks buckled, wrinkled or is not firmly adhered to the changer, replace it at this time.

NOTE: Not all COINCO GLOBAL2® changers are equipped with a coin stabilizer.

For detailed cleaning of the acceptor, remove the front cover by opening the coin tube loading door and wedging thumb underneath front cover. To remove cover, push out and up. Next, remove the intermediate cover by depressing snap on right side and pivot intermediate cover away from unit. You are now able to fully clean both the intermediate cover (paying particular attention to the mirrored surface), as well as the interior coin rail and gates. (Use caution when removing the metal debouncer. Due to its small size, it can be easily misplaced.) Reassemble front of acceptor in reverse order of disassembly.

SECTION 4: MAINTENANCE

Removing/Replacing Individual Modules

Modular assembly replacement provides the basis of all COINCO GLOBAL2® series changer repair. Instructions for removing and replacing modules are provided below. These modules should be removed in the following sequence:

ACCEPTOR

To remove the acceptor from the changer, release the acceptor latch and pull the top of the acceptor forward, away from the changer. Unplug ribbon cable from changer. Free lower acceptor studs from changer housing.

UPPER TUBE SENSE BOARD

Remove the front cover by spreading out the right side of changer housing just enough to disengage side snaps. Remove the four inventory tubes one at a time by pulling upward. Remove strain relief bracket, which is located in the upper left corner of changer housing, by removing screw. Remove recessed screw that secures logic board cover and remove cover. Push snap toward top of housing and remove upper tube sense board (which will separate from main logic board upon removal).

PAYOUT BASE

Disconnect the two motor harnesses and the tube sense harness. Remove the screws from the bottom, exterior sides of the changer housing and remove payout base.

MAIN LOGIC BOARD ASSEMBLY

Unplug harnesses from logic board and lift the logic board out of the housing.

Clearing Coin Jams

Should a coin jam occur in the cash box chute area, use the following steps to help dislodge coins:

1. Remove changer from vendor.
2. Keeping changer in an upright position, remove cash box chute (located on the back of the changer) by pulling lower edge out and down at the same time.
3. Remove any lodged coins.
4. Replace the cash box chute by pressing in and up to snap into place.

SECTION 5: TROUBLESHOOTING

Error Codes

If any of the errors listed below as “E001-E007” are detected the message “Error” will flash on the display. To view the error or a list of errors enter the Display Mode. If a single error is detected the code will be displayed in place of the “Full/Fill AbCd” message. If there is more than one error, the codes will alternate one after the other.

“FULL/FILL AbCd” No Errors
 “E001” Validation Sensors Error
 “E002” Tube Sensors Error
 “E003” Coin Jammed
 “E004” Payout Error
 “E005” ROM Error
 “E006” Configuration Error
 “E007” Line Voltage Error

The error codes listed below are displayed upon occurrence:

“E 20” Double Arrival
 “E 21” Ad Timeout
 “E 22” Ad not work
 “E 25” Coin ring zone timeout
 “E 26” Coin core zone timeout
 “E 27” Mid LED timeout
 “E 28” Last LED Timeout
 “E 29” No EC MF air phase 75F
 “E 40” TAU air out of range
 “E 41” ED Air out of range
 “E 42” MF1,2,3 Air out of range
 “E 82” No coin in tubes
 “E 88” End of stroke
 “E 90” Flash failure

Diagnostics

When the coin return lever is depressed or a coin is dropped, both the decimals points (Figure 9) and the four digits (Figures 10 and 11) are used to communicate various diagnostic conditions as follows:

Display Value

- 0 No sensors are blocked
- 1 Lower sensor is blocked
- 2 Lower and Upper sensors are blocked
- 8 Tube is jammed
- 9 Sensor error

The display information will be presented in the following manner:

<u>Position</u>	<u>Display Digit</u>	<u>Decimal Point</u>
Left	Tube position A	Left cashbox sensor blocked
Left middle	Tube position B	Right cashbox sensor blocked
Right middle	Tube position C	Float level set on at least one tube
Right	Tube position D	Power on

SECTION 5: TROUBLESHOOTING

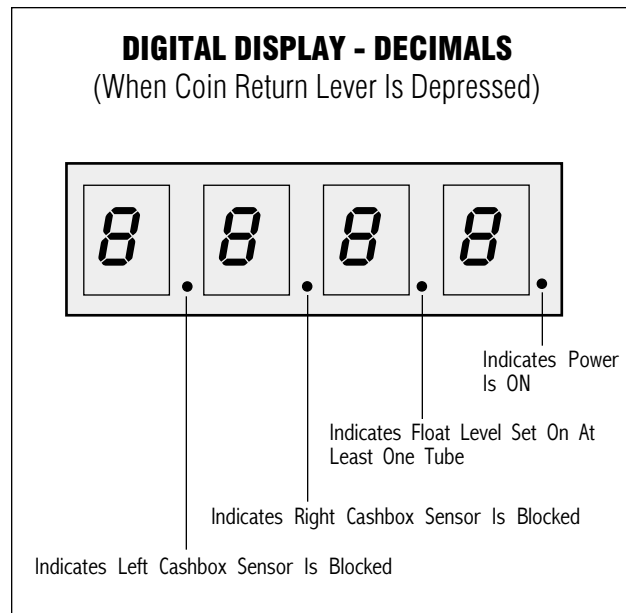


Figure 9

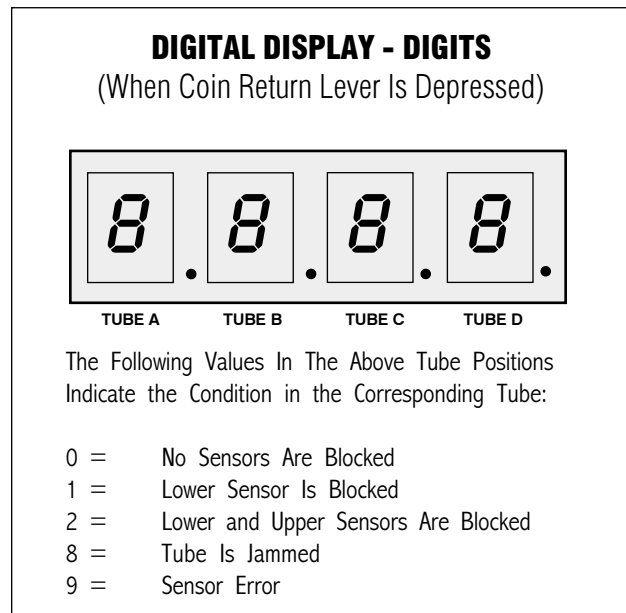


Figure 10

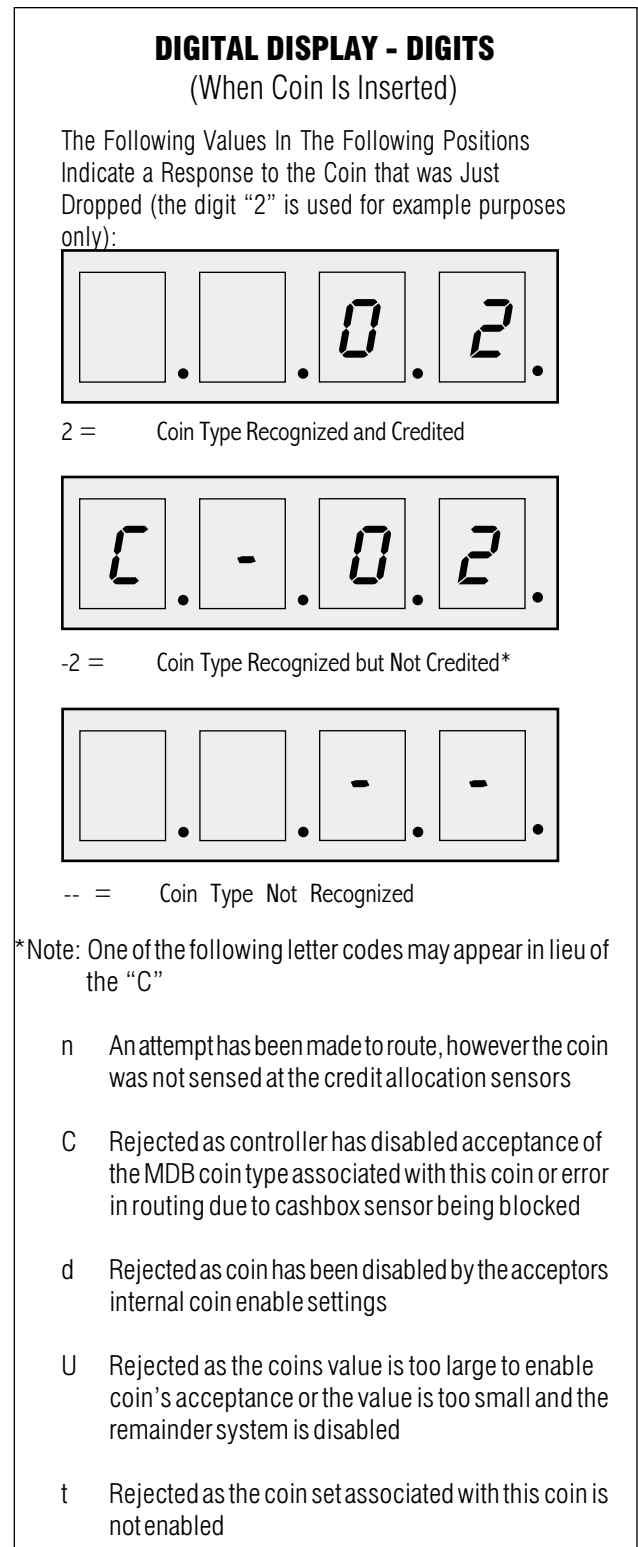


Figure 11

SECTION 5: TROUBLESHOOTING

Troubleshooting Guide			
TROUBLE	POSSIBLE CAUSE	PROCEDURE	REMEDY
No coin acceptance	No power	Make sure changer is plugged into vendor.	Plug changer into into vendor.
	Acceptor	Check power/blocker LED behind acceptor. (Four Price Only.) If LED is on, replace acceptor.	Replace acceptor.
		If still no coin acceptance,	Replace changer's main logic board.
		If still no coin acceptance,	Replace changer's main power harness.
		If LED is off, check to see that acceptor cable and changer power harness are properly connected to changer's main logic board.	Plug acceptor cable and/or changer power harness into changer main logic board.
		If still no coin acceptance,	Replace changer's main logic board.
Low Power.	Flashes "20" on display when coin is dropped.	Replace changer's main power harness.	
Vend price is set to 0.	Set vend price (see "Setting the Vend Price" sections of this manual.	Check power source.	
No Coin Acceptance or Rejects Percentage of Good Coins	Coin Return Lever	Make sure changer is mounted correctly and coin return lever is in proper position	Reposition changer and/or vendor coin return lever.
	Acceptor is dirty or foreign matter in coin accept path	Check to see that acceptor coin path is clean and free of matter	Clean acceptor and remove any foreign matter.
		If still rejects good coins, If still rejects good coins,	Replace acceptor. Replace changer's main logic board .
Accepts Coins But Gives No/Or Erratic Credit	Acceptor	Replace acceptor with good acceptor and test to see if changer functions properly.	Replace defective acceptor.
		If still no/erratic credit,	Replace changer's main logic board.
		If still no/erratic credit,	Replace changer's main power harness.

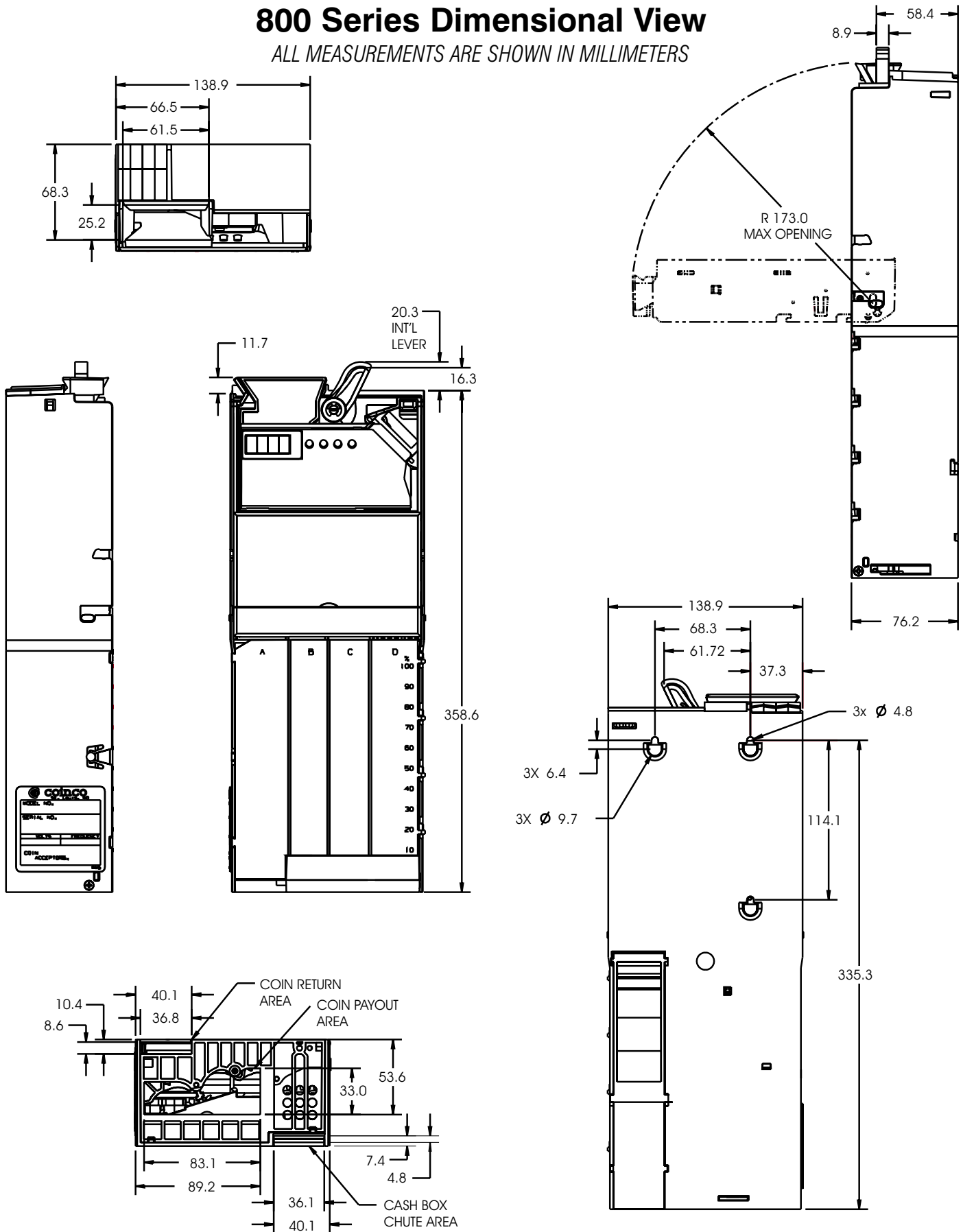
SECTION 5: TROUBLESHOOTING

Troubleshooting Guide			
TROUBLE	POSSIBLE CAUSE	PROCEDURE	REMEDY
Accepted Coins Always Go To Cashbox	Coin Routing Tube Sensor Board or Acceptor	Check that coins are routed to tubes. Check the sensor board for loose components. Make sure tube sensor board is properly secured to main logic board. Check cable from sensor board for damage or improper connection. If coin still goes to cashbox, replace acceptor with good acceptor and test to see if changer functions properly. If coin still goes to cashbox,	See "Rerouting the Coins." Replace tube sensor board. Replace acceptor. Replace changer's main logic board.
Accepted Coins Always Go To Coin Tubes	Coin tube gate is in the open position Tube Sensor Board	Remove acceptor back cover and check solenoid for free operation. Replace tube sensor board with good board and test to see if changer functions properly. If coins still go to tubes,	Replace acceptor. Replace tube sensor board. Replace changer's main logic board.
Changer Credits Coins But Does Not Escrow	Coin return lever Acceptor	Make sure changer is mounted correctly and acceptor gate opens when vendor coin return lever is operated. Replace acceptor with good acceptor and test to see if changer operates correctly.	Reposition changer and/or vendor coin return lever. Replace defective acceptor.
No Payout	Switch 9 is ON - escrow is inhibited. Payout Motor	Uninhibit the escrow feature. Make sure motor wires are properly connected to changer's main logic board. If still no payout, replace motor with good motor and test to see if changer operates properly.	Turn switch 9 OFF and press the Mode Switch. Plug motor wires into logic board. Replace defective payout motor.

SECTION 6: EXPLODED VIEWS

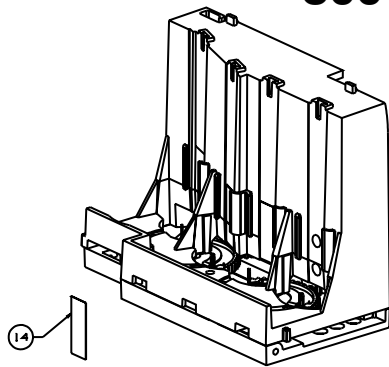
800 Series Dimensional View

ALL MEASUREMENTS ARE SHOWN IN MILLIMETERS

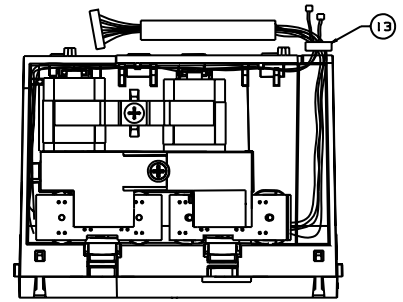


SECTION 6: EXPLODED VIEWS

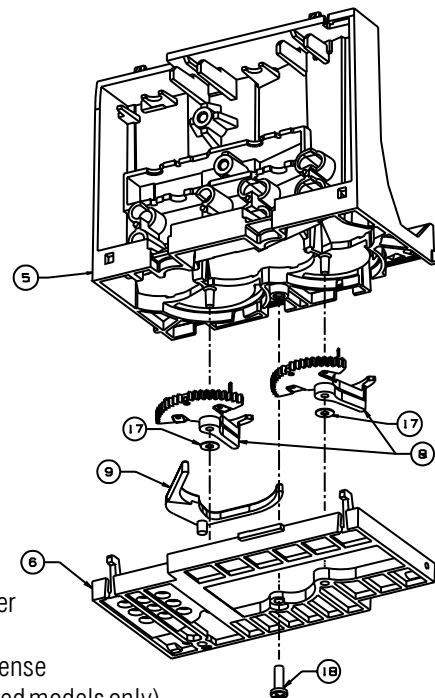
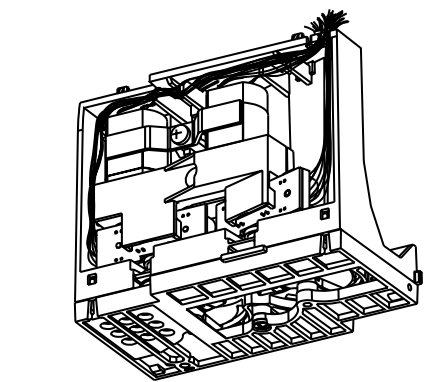
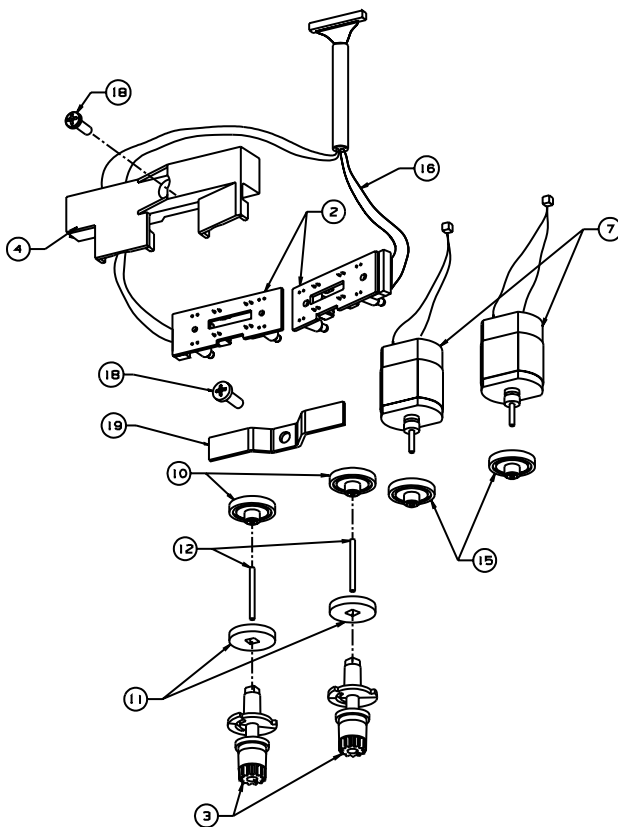
800 Series Payout Base Assembly



FRONT VIEW



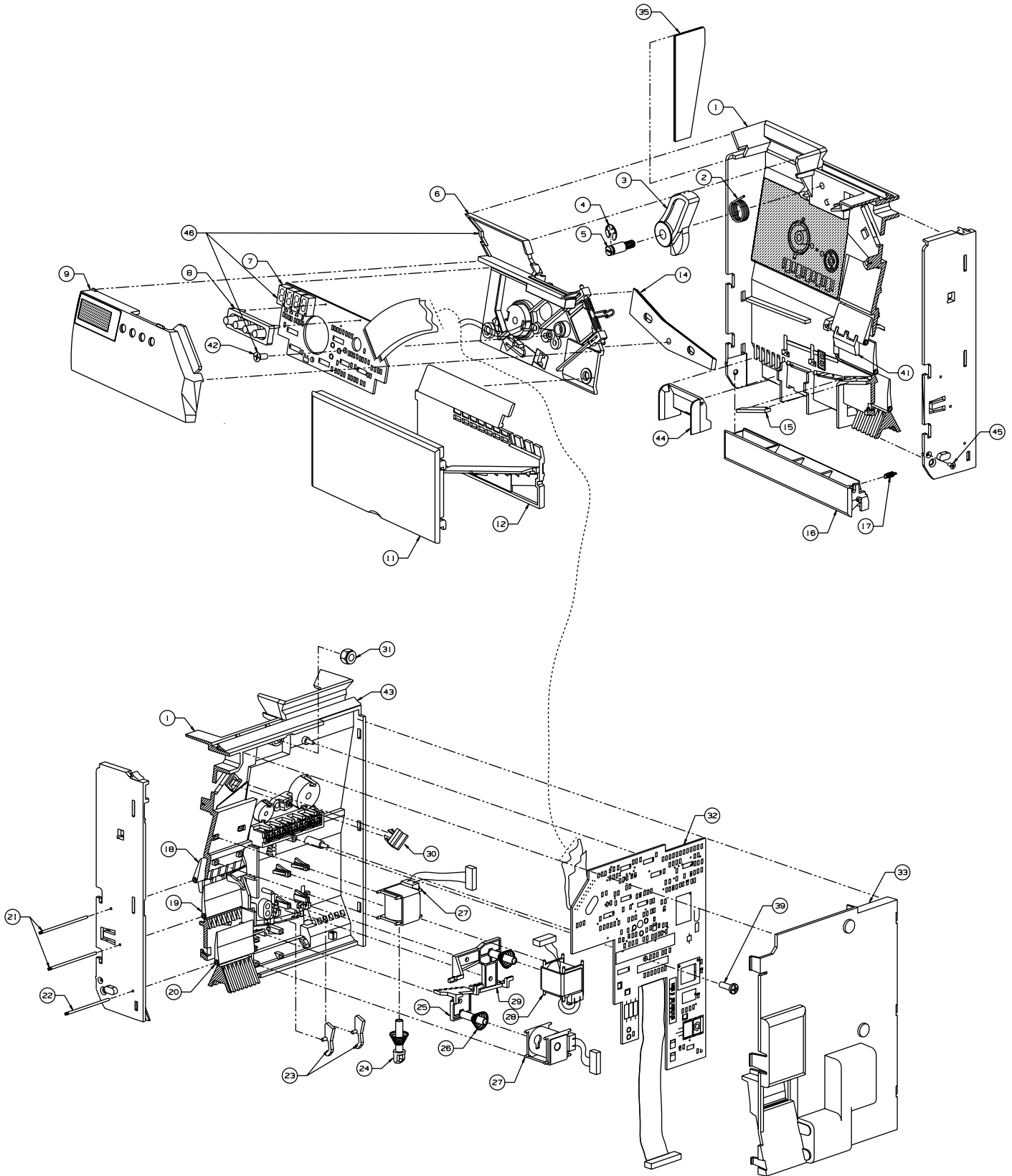
BACK VIEW



ITEM NO.	DESCRIPTION
1	Removed
2	Tube/Home Sense Board-Lower
3	Gear, Encoder
4	Cover, Gearbox
5	Base, Payout-Upper
6	Base Payout-Lower
7	Assembly, Motor/Harness
8	Assembly, Sweeper
9	Arm, Coin Clearing
10	Gear, Reduction

NO.	DESCRIPTION
11	Gear, Pinion
12	Shaft, Gear
13	Cable Tie
14	Lens, Tube Sense-Lower
15	Gear, Reduction
16	Harness, Lower Tube Sense
17	Washer, Plastic (selected models only)
18	Screw, 8x1/2 PH, PHL, Threadcutting
19	Retainer, Motor

SECTION 6: EXPLODED VIEWS

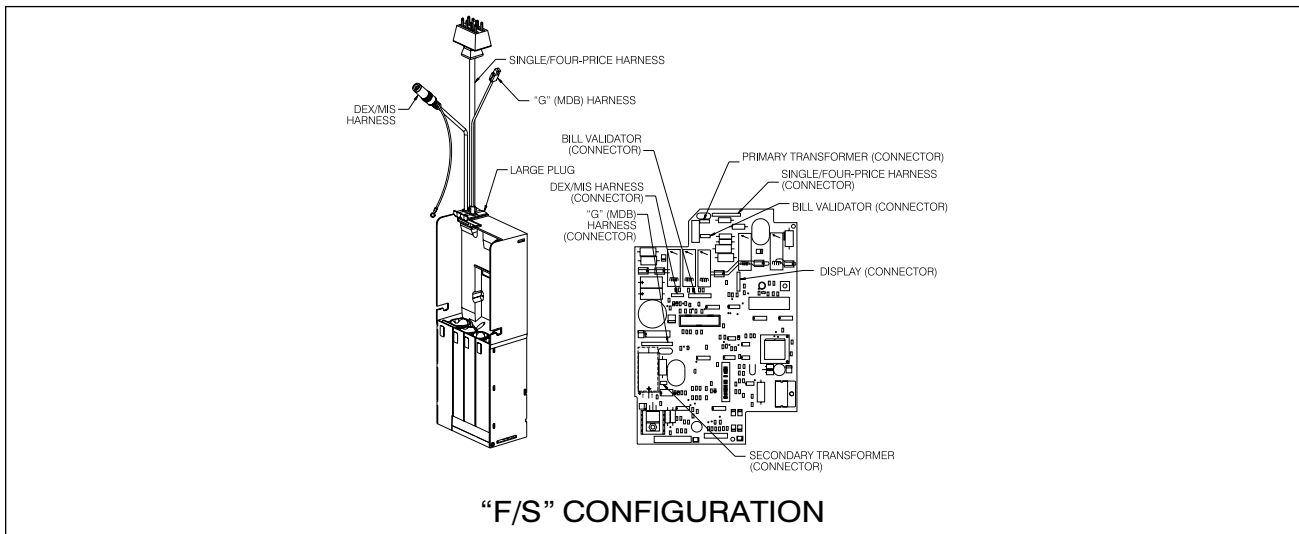
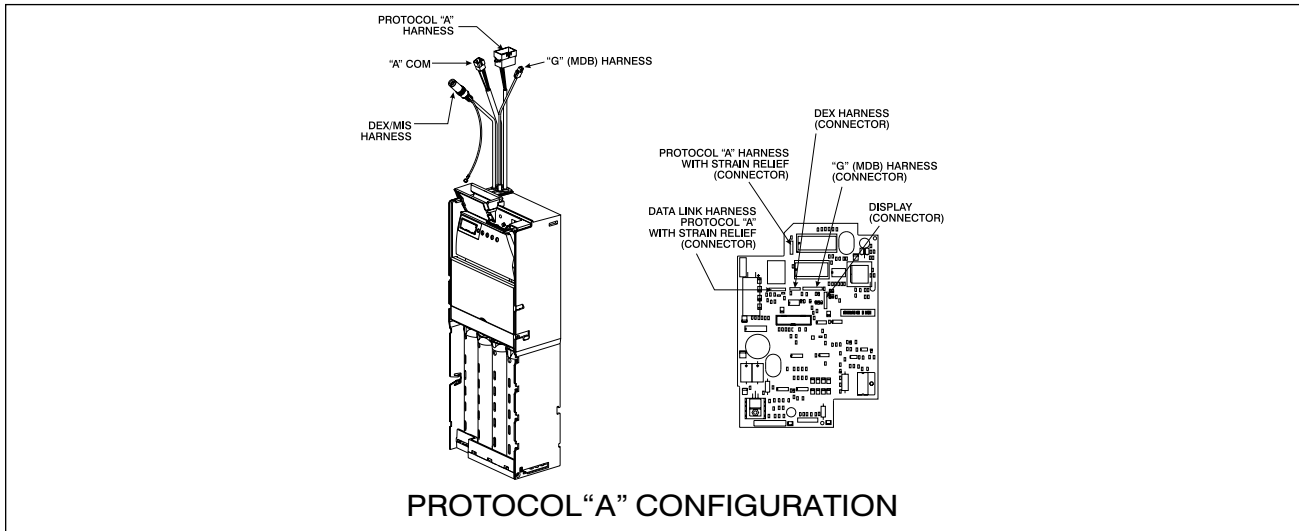
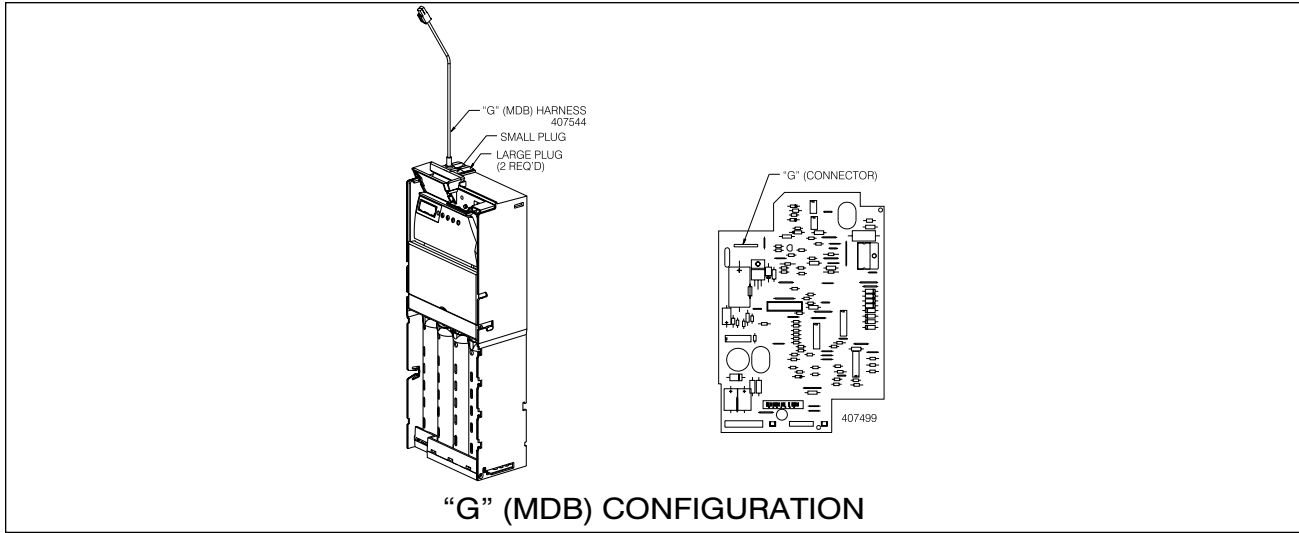


SECTION 6: EXPLODED VIEWS

<u>ITEM NO.</u>	<u>DESCRIPTION</u>
1	Mainplate and Coil
2	Operating Lever Spring
3	Operating Lever
4	Retaining Ring
5	Gate Lever Pivot Screw
6	Gate and Coil Assembly
7	Gate Board
8	Keypad
9	Gate Cover
10	Label
11	Front Cover
12	Intermediate Cover
13	Label, Mirror .575
14	Debounce, Validation
15	Debounce, Sorting
16	Hand Loading Door
17	Hand Loading Door Spring
18	Accept/Reject Door
19	Sort Door
20	Cashbox Door
21	Pivot Diverter Pin
22	Short Diverter Pin
23	Coin Stop
24	Plunger and Yoke Assembly
25	Tube "C" and Plunger Assembly
26	Copper Plated Spring
27	Solenoid Coil Assembly
28	"C" Frame Solenoid
29	Tube "B" and Plunger Assembly
30	Spring Retention Plug
31	Self Locking Hex Nut
32	Logic Board
33	Rear Cover
34	Acceptor Label
35	Debounce Plate
36	Patent Label
37	Foam (not shown)
38	Foam (not shown)
39	Screw, Pan Head #4x5/16
40	Global Decal
41	Anti-Stringing Lever
42	Screw, Flat Head #4x5/16
43	Acceptor Gasket
44	Insert, Mainplate (selective models only)
45	Screw, Flat Head #2x3/16 (selective models only)
46	Gate/Board assembly (for service only)

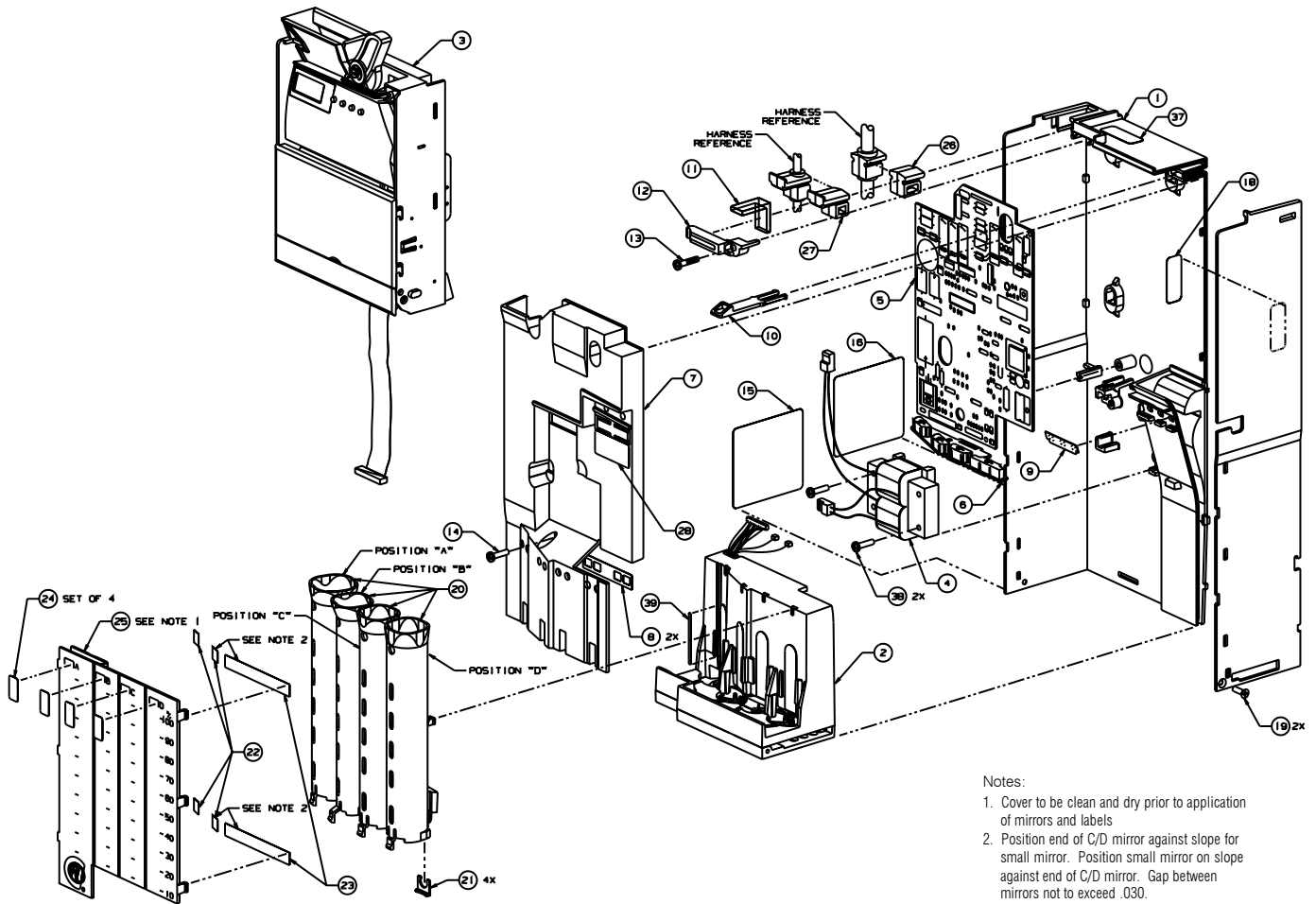
SECTION 6: EXPLODED VIEWS

800 Series Harness and Logic Board Configuration



SECTION 6: EXPLODED VIEWS

800 Series Final Assembly



Notes:

1. Cover to be clean and dry prior to application of mirrors and labels
2. Position end of C/D mirror against slope for small mirror. Position small mirror on slope against end of C/D mirror. Gap between mirrors not to exceed .030.

ITEM NO.	DESCRIPTION	ITEM NO.	DESCRIPTION
1	Assembly, Housing	17	Harness, Bill Validator (optional, selective models)
2	Assembly, Payout	18	Label, Configuration
3	Assembly, Acceptor	19	Screw, Flat Head #4 x 5/16
4	Assembly, Transformer (F/S models only)	20	Tube, Inventory
5	Logic Board	21	Shim
6	Board, Upper Tube Sense	22	Mirror, Tube A
7	Cover, Logic Board	23	Mirror, Tube C and D
8	Lens, Upper Tube Sense	24	Labels, Tube
9	Lens, Cashbox	25	Front Cover/Coin Return
10	Latch	26	Plug, Lg. Strain Relief (selective models)
11	PVC Foam	27	Plug, Sm. Strain Relief (selective models)
12	Bracket, Strain Relief	28	Label, Price Setting (F/S models only)
13	Screw, Pan Head #6 x 11/16	--	
14	Screw, Pan Head #6 x 1/2	37	Label, Warranty (selective models)
15	Label, Identification	38	Screw, Pan Head #4 x 3/4
16	Label, Patent	39	Pad (selective models)

COIN ACCEPTORS, INC. PRODUCTS ARE PATENTED, AND PATENTS ARE PENDING,
IN THE UNITED STATES AND THROUGHOUT THE WORLD.



Coin Acceptors, Inc.
World Headquarters
300 Hunter Avenue
St. Louis, MO 63124-2013
Phone: (314) 725-0100

Coin Acceptors Europe Ltd.
Coinco House
Imberhorne Lane, East Grinstead
Sussex RH19 1QZ England
Phone: 44-1342-315724



Coinco Publication No. 924242 Rev. 1
1/00 Printed in the U.S.A.